

One or more Matrix 120™ USB models can be connected to a USB Hub. The HUB must be able to supply 500 mA to each port.

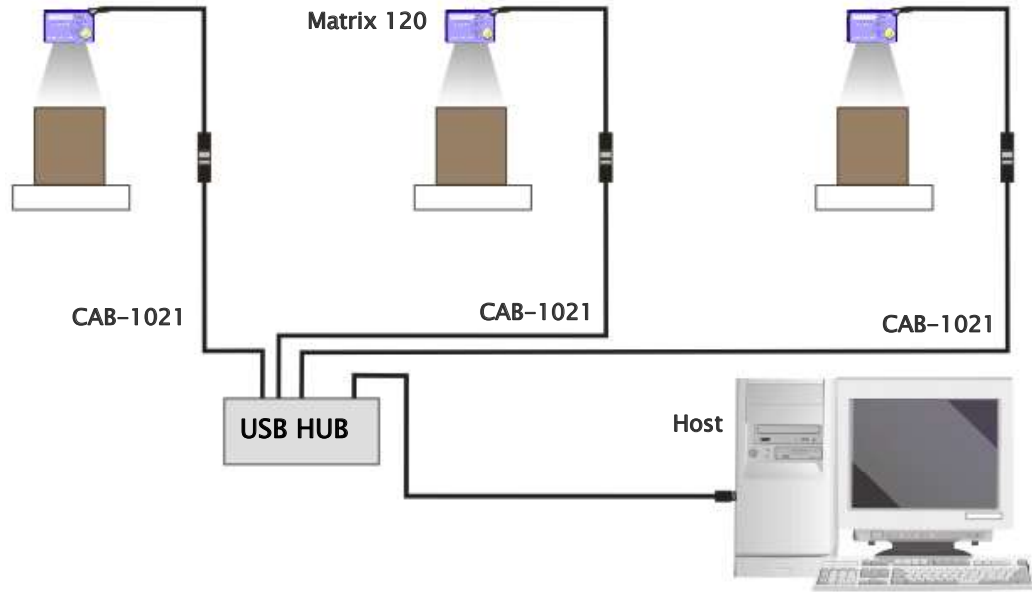


Figure 58 - USB Layout to HUB

The CAB-1051 allows I/O devices to be connected to the reader when using the USB interface.

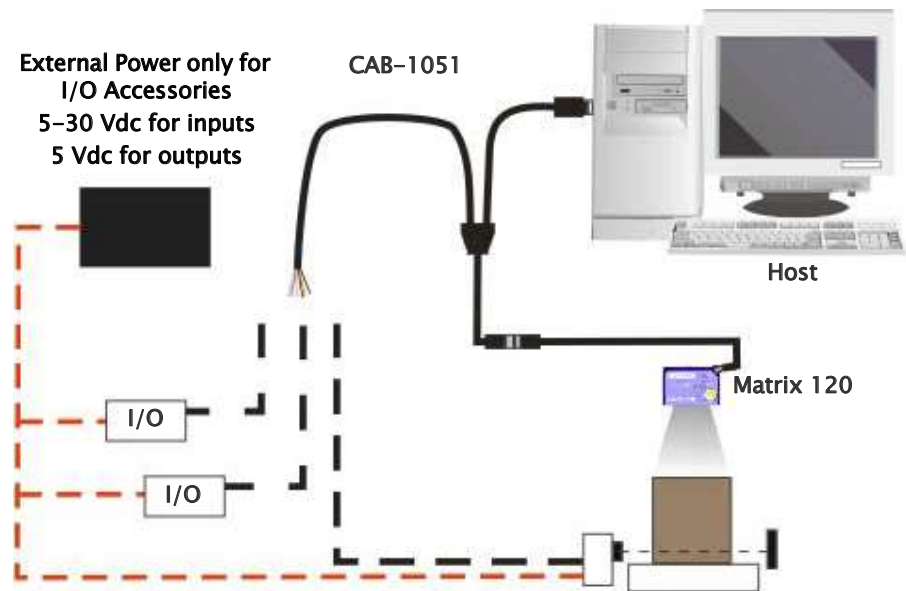
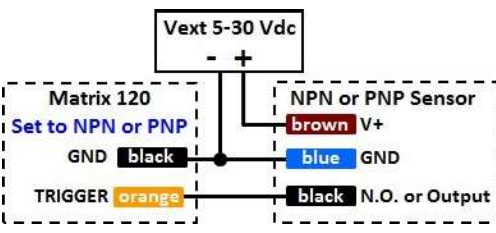
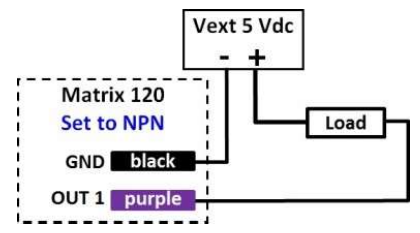
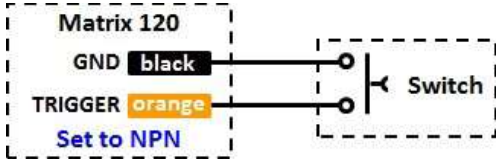
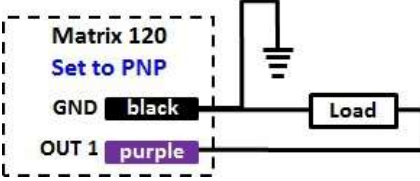
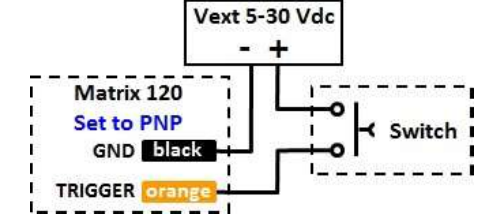
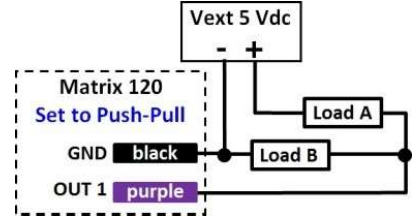


Figure 59 - USB Point-to-Point Layout with I/O

The electrical connections between I/O devices and CAB-1051, together with the relative Matrix 120™ Line Type parameter settings are shown below.

Inputs	Outputs
$V_{ext} = 5-30 \text{ Vdc max}$ $I_{IN} = 3.5 \text{ mA max}$	$V_{ext} = 5 \text{ Vdc max}$ $I_{CE} = 100 \text{ mA max}$

Inputs	Outputs
 <p>Matrix 120 Set to NPN or PNP GND black TRIGGER orange</p> <p>NPN or PNP Sensor brown V+ blue GND black N.O. or Output</p>	 <p>Matrix 120 Set to NPN GND black OUT 1 purple</p>
 <p>Matrix 120 Set to NPN GND black TRIGGER orange</p>	 <p>Matrix 120 Set to PNP GND black OUT 1 purple</p> <p>$V_{out} = 3.3 \text{ Vdc max}$ $I_{out} = 50 \text{ mA max}$</p>
 <p>Matrix 120 Set to PNP GND black TRIGGER orange</p>	 <p>Matrix 120 Set to Push-Pull GND black OUT 1 purple</p>
<p>CAB-1051 Input 1 (Trigger) = orange Input 2 = gray GND = black</p>	<p>CAB-1051 Output 1 = purple Output 2 = red/white GND = black</p>