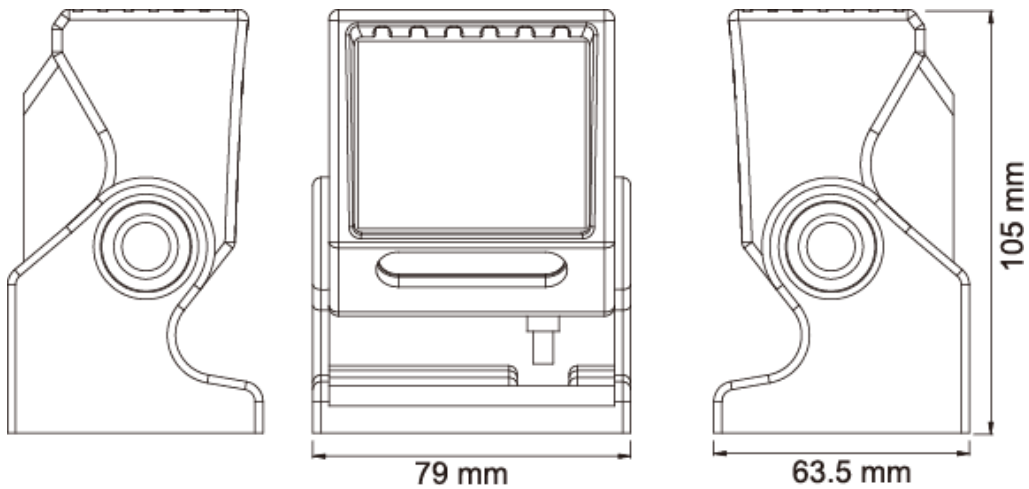


Omni-Directional/ Single-Line Dual Scan Modes Handsfree Barcode Scanner

Omni-352



- **Dimensions**



- Specifications**

Model	Omni-352
General	
Scan Rate	1650 scans lines/sec (Omni-Mode) 80 scan lines/sec (Single-Line mode)
Scanner Type	Laser Diode
Wavelength	650nm±10nm
Minimum Barcode Width	0.127mm (5 mil)
Depth of Field	25mm~280mm, 25mm~150mm (reduced)
Contrast Ratio	35%
Scan Patten	Dual Mode (Omni-directional reading / Single Scan line Mode)
Resolution	0.1mm (4 mil, PCS 90%)
Infrared Auto Inductor	
Working Distance	Auto Wake-up (laser dispenser) when object is near (still not scan)
System Interface	Keyboard Wedge/RS-232/USB 1.1
Indicator	Audio (Programmable tone), Illumination Indicator (Blue/White LED)
Readable Bar Code Symbolologies	UPC/EAN, Code 128, Code 93, Codabar, Interleaved 2 of 5, Code 11, Code 39, MSI/Plessey, RSS-14
Electrical	
Power Input	5VDC ± 25%
Operating Current	275 mA
Power Consumption	1.375 W
Others	
Material	ABS
Color	Black
Shock Resistance	1m drop onto concrete
Compliance	CE, FCC
Laser Class	IEC 60825-1, EN 60825-1
Weight	140 g (without cable)
Dimension(W x H x L :mm)	79 x 105 x 63.5
Operating Temperature	-20°C~40°C
Storage Temperature	-40°C~60°C
Storage Humidity	5%-95% RH, non-condensing

